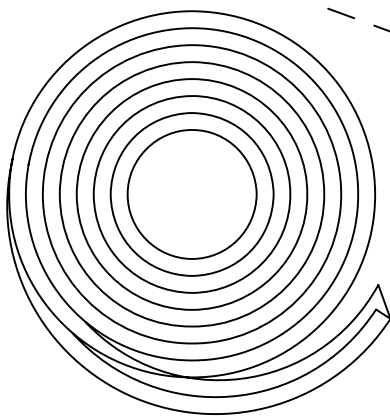


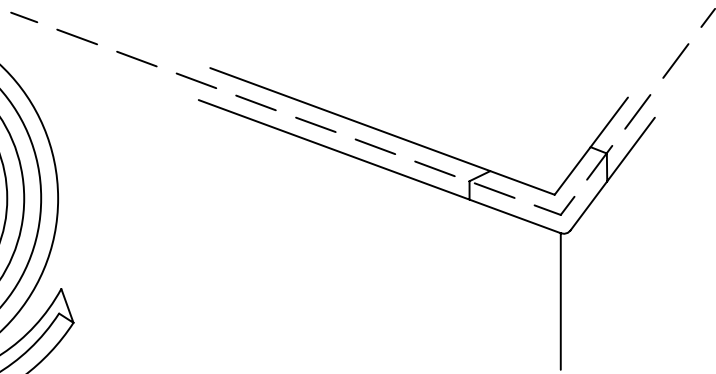
# Specification for TS2 Safe Corner Guard Strip of Tables

## Instruction:

1. Appellation: TS2 Safe Corner Guard Strip of Tables  
Item No.: TS201~TS203 (yellow, gray and white)
2. Dimension: 2\*2\*120cm; 2\*2\*200cm
3. Material: PVC soft plastic
4. Installation: a. Apply instant adhesive to the base of TS2 and then press it to the location you desire.  
b. Apply instant adhesive to the edge of TS2 to strengthen fixity.
5. Application: Sharp corners of tables, cabinets, windows, sinks and so on.



Unit: mm



The illustration of safe corner guard strip of tables