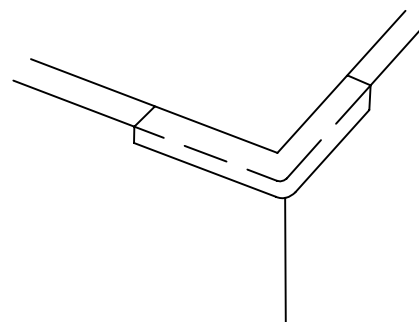
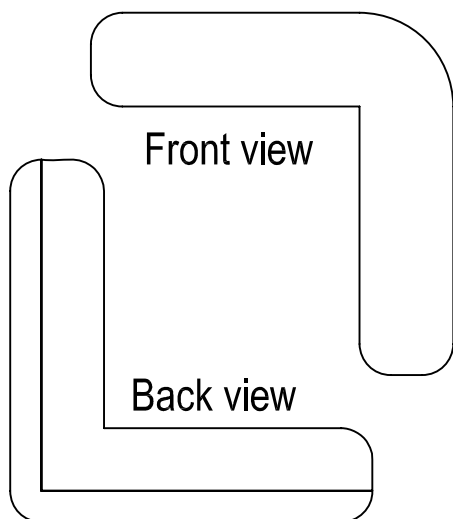


# Specification for TS1 Safe Corner Guard of Tables

## Instruction:

1. Appellation: TS1 Safe Corner Guard of Tables  
Item No.: TS101~TS106 (yellow, green, blue, brown, gray and white)
2. Dimension: 5.8\*5.8cm
3. Material: PVC soft plastic
4. Installation: a. Apply instant adhesive to the base of TS1 and then press it to the location you desire.  
b. Apply instant adhesive to the edge of TS1 to strengthen fixity.
5. Application: Sharp corners of tables, cabinets, windows, sinks and so on.



The illustration of safe corner guard of tables

Unit:mm