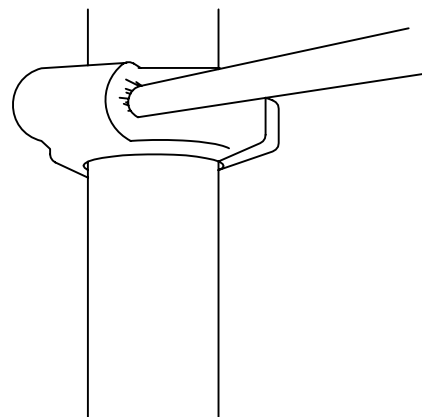
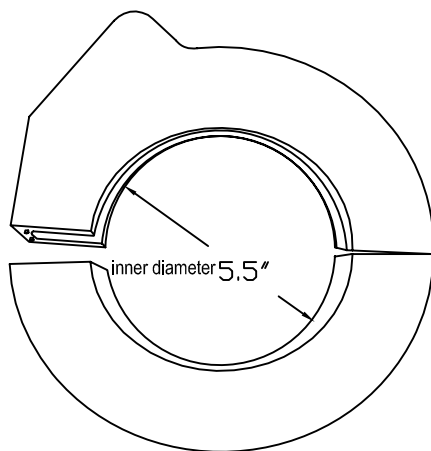


Specification for PR5.5-AD1 Safe Adapter of Cylinder Cover

Instruction:

1. Appellation: PR5.5-AD1 Safe Adapter of Cylinder Cover
Item No.: PR5501-AD1~PR5507-AD1
(red, orange, yellow, green, blue, indigo and purple)
2. Dimension: 5.5" inner diameter, 15mm thickness, 500mm length
3. Material: Integral Skin Urethane
4. Installation: a. Apply silicone to the inside of PR5 and then press it to the location you desire.
b. Apply instant adhesive to the edge of PR5 to strengthen fixity.
5. Physical property: (1) Compression set (%) (70° c, 22hrs): 37 (CNS 3560)
(2) Tensile Strength (kgf/ cm): 42.1 (CNS 3553)
(3) Elongation (%): 79 (CNS 3553)
(4) Tear Strength (kgf/ cm): 10.6 (CNS 3559)
6. Aging test (100° c, 70hrs) (CNS 3556): (1) Tensile Strength (kgf/ cm): 46.3
(2) Elongation (%): 75
(3) Tear Strength (kgf/ cm): 10.6
7. The result of Headspace: Do not detect Toluene
8. Bacteriostasis of *Aspergillus niger* BCRC 31512:
According to the evaluation standard of Antifungal Test (ASTM G21-96), the resistant level of fungus is level 2.
9. Test: According to the security standard of toys (CNS 4797-4797-3, 4798, 4798-1-3, 4798-10-37), PR5 Safe Cylinder Cover meets the safe requirement of structure, flame resistance and toxicology.
10. Horizontal burning foamed material test: PR5 Safe Cylinder Cover
meets the requirement of UL 94 HBF.



UNITEL ENTERPRISE CO., LTD.

Address: 1F., No.84, Hueiji 1st St.,
Taoyuan City, Taoyuan County 330,
Taiwan (R.O.C.)

TEL:+886 3 357-9191

FAX:+886 3 317-1576