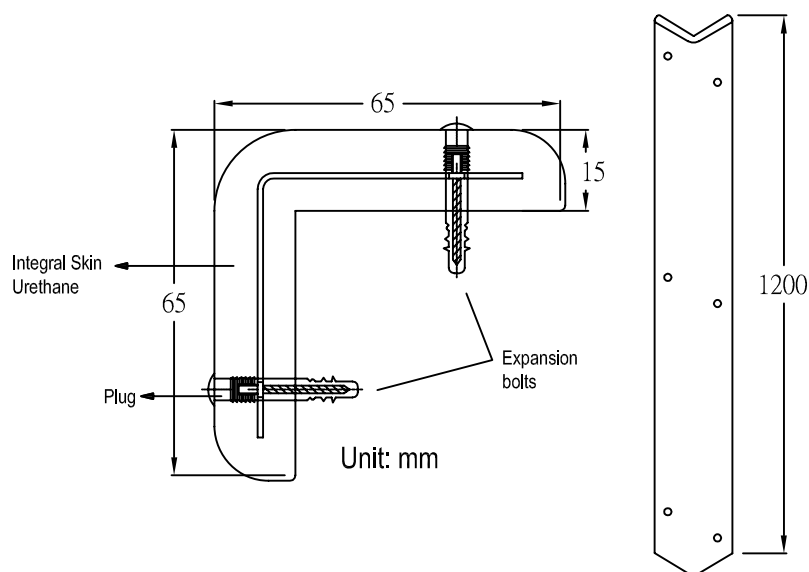


# Specification for P6512 Safe Corner Guard with Aluminum Strip

## Instruction:

1. Appellation: P6512 Safe Corner Guard with Aluminum Strip  
Item No.: P65121~P65127  
(red, orange, yellow, green, blue, indigo and purple)
2. Dimension: 65(W)\*65(W)\*1200(L)\*15(T)m/m
3. Material: Integral Skin Urethane with aluminum strip
4. Installation: Fixed by strike expansion bolts with nylon cap or air nail and then stuff the hole with exclusive cap.
5. Physical property:
  - (1) Compression set (%) (70° c, 22hrs): 37 (CNS 3560)
  - (2) Tensile Strength (kgf/ cm): 42.1 (CNS 3553)
  - (3) Elongation (%): 79 (CNS 3553)
  - (4) Tear Strength (kgf/ cm): 10.6 (CNS 3559)
6. Aging test (100° c, 70hrs) (CNS 3556):
  - (1) Tensile Strength (kgf/ cm): 46.3
  - (2) Elongation (%): 75
  - (3) Tear Strength (kgf/ cm): 10.6
7. The result of Headspace: Do not detect Toluene
8. Bacteriostasis of *Aspergillus niger* BCRC 31512:  
According to the evaluation standard of Antifungal Test (ASTM G21-96), the resistant level of fungus is level 2.
9. Test: According to the security standard of toys (CNS 4797-4797-3, 4798, 4798-1-3, 4798-10-37), P6512 Safe Corner Guard with Aluminum Strip meets the safe requirement of structure, flame resistance and toxicology.
10. Horizontal burning foamed material test: P6512 Safe Corner Guard with Aluminum Strip meets the requirement of UL 94 HBF.



UNITEL ENTERPRISE CO., LTD.

Address: 1F., No.84, Hueiji 1st St.,  
Taoyuan City, Taoyuan County 330,  
Taiwan (R.O.C.)

TEL:+886 3 316-6782

FAX:+886 3 317-1576